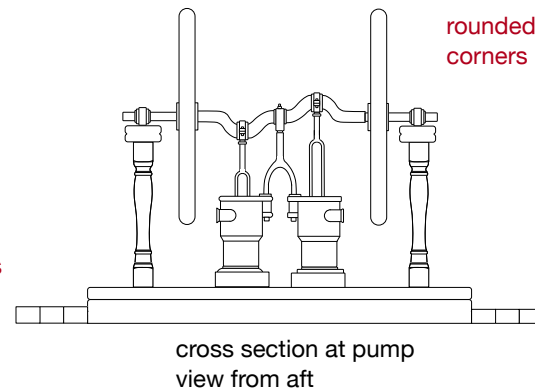
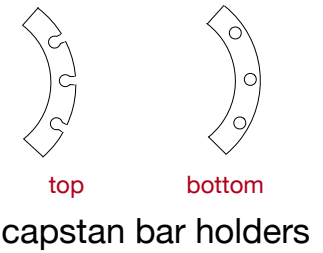
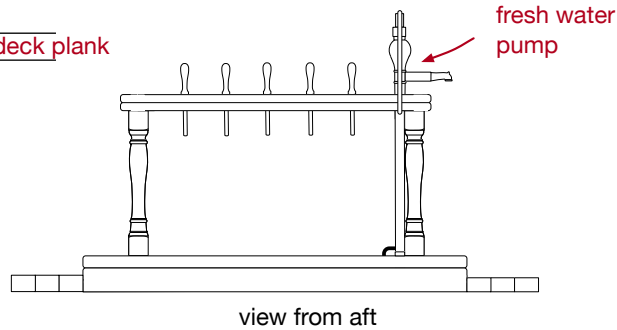
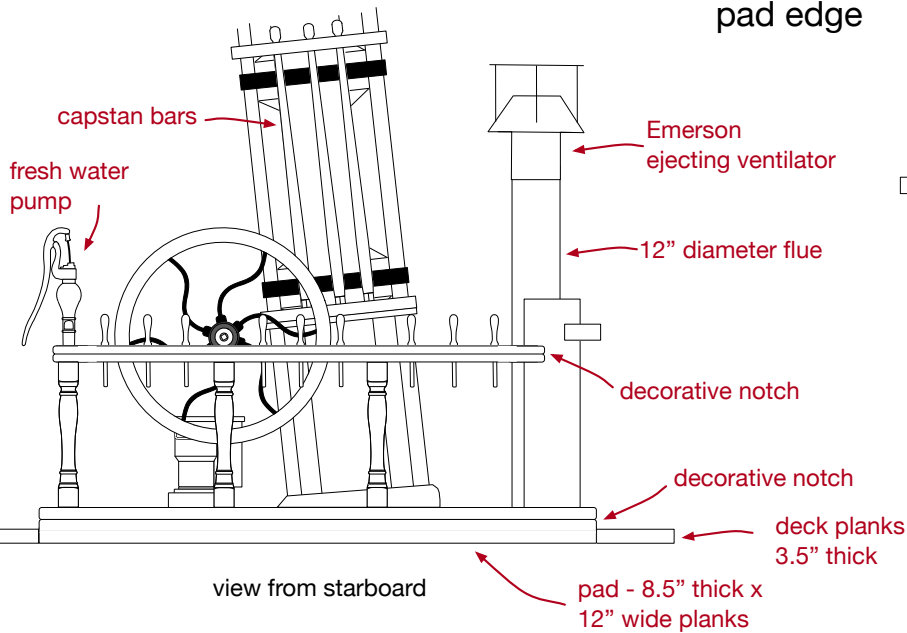
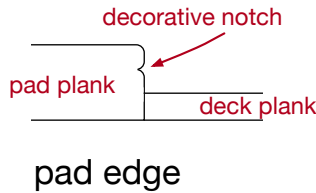


Based on the MFA model and an 1880 drawing by Marina Sargent "Looking Forward from the House". The placement of the ventilator is conjecture. We know from the McLean launching story that *Flying Cloud* had Emerson ventilators but not where they were located. The MFA model does not include them nor did the 1928 Boucher plans.



FLYING CLOUD - MAIN MAST FIFE RAIL